

EVFG** *8

Lighting fixtures for high efficiency led lamps and fluorescent tube lamps



Installation

hazardous areas - Zone 1 / 2 (Gases) - Zone 21 / 22 (Dusts)

Classification

Group II - Category 2G 2D

Mechanical characteristics

Body	marine grade copper free aluminium
Diffuser	high-temperature resistant borosilicate glass
Painting	external epoxy powders grey ral-9006 colour
Screws	external stainless steel
Reflectors	white stove enamelled sheet steel
Cable entry	3/4" NPT size threaded (Ex-d) ISO-M25 size threaded (Ex-de)

Electrical characteristics

Power supply (fluo)	electronic ballast: 220 V ÷ 240 Vac 50/60 Hz (cos ρ ≥ 0,98) 220 V ÷ 240 Vdc
Power supply (led)	electronic ballast 100 V/240 V 50/60 Hz (always on - maintained) electronic ballast 110V/240V 50/60 Hz (network only - not maintained) electronic ballast 110V/240V 50/60 Hz (only in emergency)
Lampholders	bi-in g5 cap (fluorescent lamp only)
Internal Wiring	high-temperature resistant silicon rubber insulation cables
Terminals	suitable up to 4 mm ² cables
Emergency Unit	emergency unit for maintained and not maintained (see technical data table)

Reference standards

Directive 2014/34/EU	
Execution	<ul style="list-style-type: none"> ⊗ II 2G Ex db eb IIC T6 Gb ⊗ II 2G Ex db op is IIC T6 Gb (for PCB LED type only) ⊗ II 2G Ex db eb op is IIC T6 Gb (for PCB LED type only) ⊗ II 2D Ex tb IIIC T85 °C Db ⊗ II 2D Ex op is tb IIIC T85 °C Db (for PCB LED type on
Rules of compliance	EN/IEC 60079-0; EN/IEC 60079-1; EN/IEC 60079-7; EN/IEC 60079-31;
EU Type-Examination Certificate	INERIS 12 ATEX 023X
Protection degree	IP66
Ambient temperature	-20 °C ÷ +60 °C
Other available certificates	IECEX: IECEX INE 13.0055X INMETRO: CEPTEL 13.2291X RUSSIAN MARINE CERTIFICATE (RMRS): 19.02519.280 ECASEX: 23-06-22481/Q23-06-048569/NB0002

On Request Accessories

- External painting colour on request
- Electronic ballast with voltage supply different than standard
- Threaded cable entry different than standard
- Self-adhesive green label with EXIT sign (language on request)



Functional characteristics

EVFG** *8 (Network only)	8 W fluorescent lamp and electronic ballast 220 V÷240 Vac 50/60 Hz 220 V÷240 Vdc
EVFG** *8ESA-3 (Always On - Maintained)	8 W fluorescent lamp and electronic ballast 220 V/240 V AC
EVFG** *8E-3 (Emergency only - Not Maintained)	8 W fluorescent lamp and electronic ballast 220 V/240 V AC
EVFG** *8L (Network only)	with high brightness LEDs (350 mA - 4 W) supply from 100 V up to 240 V AC
EVFG** *8LE-SA (Always On - Maintained)	with high brightness LEDs (350 mA - 4 W) supply from 110 V up to 240 V AC with charge status monitor LED system (GREEN: battery under charging)
EVFG** *8LE (Emergency only - Not maintained)	with high brightness LEDs (350 mA - 4 W) supply from 110 V up to 240 V AC with charge status monitor LED system (GREEN: battery under charging)

** : with "d" for Exd version (Ex. EVFGd *8) - without "d" for Exde version (Ex. EVFG *8) - * = 1 or 2 : with "1" = single lamp - with "2" = two lamps

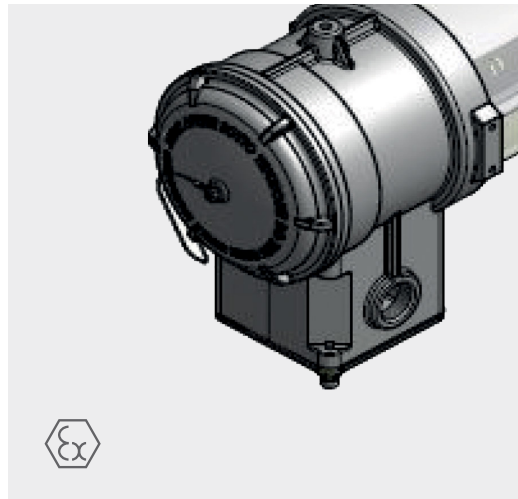
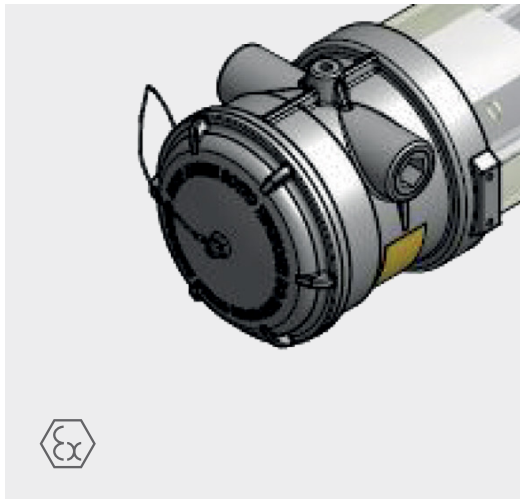
Technical data

Code	Power supply	Lamp	mA (led)	Temperature class (gas)	Temperature class (dusts)	Emergency unit	Autonomy
Lighting fixtures for fluorescent tube lamps							
EVFG**18	220 ÷ 240V AC/DC	8 W x 1	-	T6	T 85 °C	no	-
EVFG**18E-3	220 ÷ 240V AC	8 W x 1	-	T6	T 85 °C	3,6V - 4A/h	180 min.
EVFG**18ESA-3	220 ÷ 240V AC	8 W x 1	-	T6	T 85 °C	3,6V - 4A/h	180 min.
EVFG**28	220 ÷ 240V AC/DC	8 W x 2	-	T6	T 85 °C	no	-
EVFG**28ESA-3	220 ÷ 240V AC	8 W x 2	-	T6	T 85 °C	3,6V - 4A/h	180 min.

** : with "d" for Exd version (Ex. EVFGd18) - without "d" for Exde version (Ex. EVFG28)

Lighting fixtures for high efficiency led lamps							
EVFG**18L	100 ÷ 240V AC	1 W x 4	350	T6	T 85 °C	no	-
EVFG**18LE	100 ÷ 240V AC	1 W x 4	350	T6	T 85 °C	6 V - 2,6 A/h	180 min.
EVFG**18LE-SA	100 ÷ 240V AC	1 W x 4	350	T6	T 85 °C	6 V - 2,6 A/h	180 min.
EVFG**28L	100 ÷ 240V AC	(1 W x 4) x 2	350	T6	T 85 °C	no	-
EVFG**28LE-SA	100 ÷ 240V AC	(1 W x 4) x 2	350	T6	T 85 °C	6 V - 2,6 A/h	180 min.

** : with "d" for Exd version (Ex. EVFGd18) - without "d" for Exde version (Ex. EVFG28)

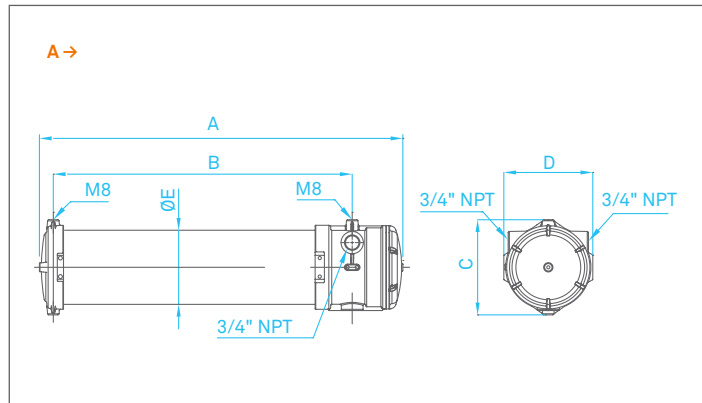


Technical features

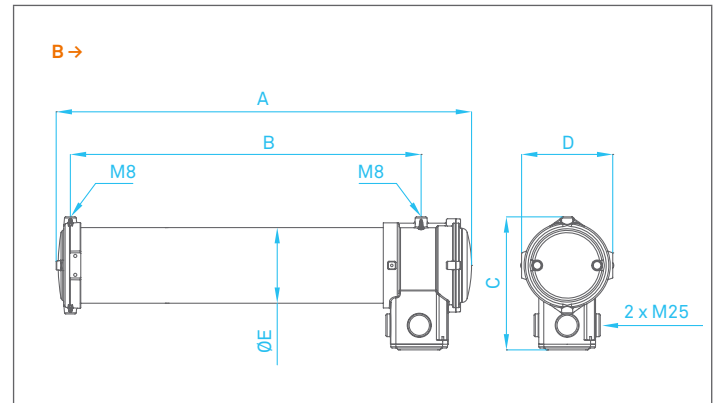
Code	A [mm]	B [mm]	C [mm]	D [mm]	ØE [mm]	Weight [kg] **	Cable entry	Detail
EVFGd*8	495	390	154	145	120	3,50	2 x 3/4"	A
EVFGd*8E-3						4,50		
EVFG*8	495	390	218	145	120	4,00	2 x M25	B
EVFG*8E-3						5,00		

*= 1 or 2: with "1"= single lamp - with "2"= two lamps

Reference details



Reference details



On request accessories

Code	Cable entry	Detail
CRS-SXX170054	Self-adhesive green "exit" label	Polyester

REMARK:

Due to the development of the national and international specifications and of the technology, the above technical characteristics showed on this bulletin can be considered as binding on our confirmation only.