

Universal Access Point Enclosure for Zone 2

Datasheet



The universal access point enclosure offers a fast solution for the use of permanent or temporary wireless networks in potentially hazardous areas.

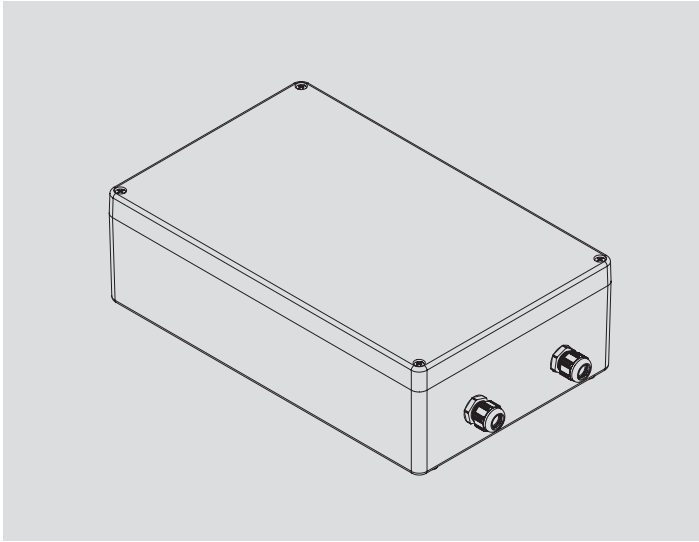
The enclosure is suitable for non-explosion-protected communication devices, such as access points or other radio modules, e.g. GSM modules.

The plastic enclosures have been specially tested for Zone 2 in accordance with IEC/EN 60079-0 and IEC/EN 60079-15.

The type of protection nR (restricted breathing) covers Zone 2 and therefore facilitates this special solution.

Every enclosure is subjected to a pressure test according to the standard before delivery, (routine testing).

- "nR" tested polyester enclosure.
- Chemicals-resistant
- Halogen-free, UV-resistant
- Seawater-tight
- Different enclosure sizes available



Technical data

Marking to 2014/34/EU	Ex II 3G
Type of protection (Gas)	Ex nR IIC T6 Gc
EU Type Examination Certificate	BVS 20 ATEX E 103 X
International Certifications	IECEX BVS 20.0081X
Rated voltage	max. 400 V AC (depending on internal Access Point)
Rated current	max. 10 A (depending on internal Access Point)
Protection degree to EN 60529	IP66
Enclosure material	glass-fibre reinforced polyester
Max. admissible ambient temperature	$-55^{\circ}\text{C} \leq T_{\text{amb}} \leq 100^{\circ}\text{C}$ (Standard) (depending on internal Access Point)
Connection	via cable gland
Power supply	optional
Ethernet adapter	optional

Delivery:

Delivery is made with EU declaration of conformity and operating instructions.

Maintenance:

Inspection and maintenance in accordance with IEC/EN 60079-17 for electrical systems: (close inspection for damage).

Other enclosure sizes for access points, GSM modules or other parts, or execution for Zone 22 on request
TVID-ESS@bartec.com

Example:

Technical data for access point of the Cisco series 28xx and 38xx with integrated antennas.

